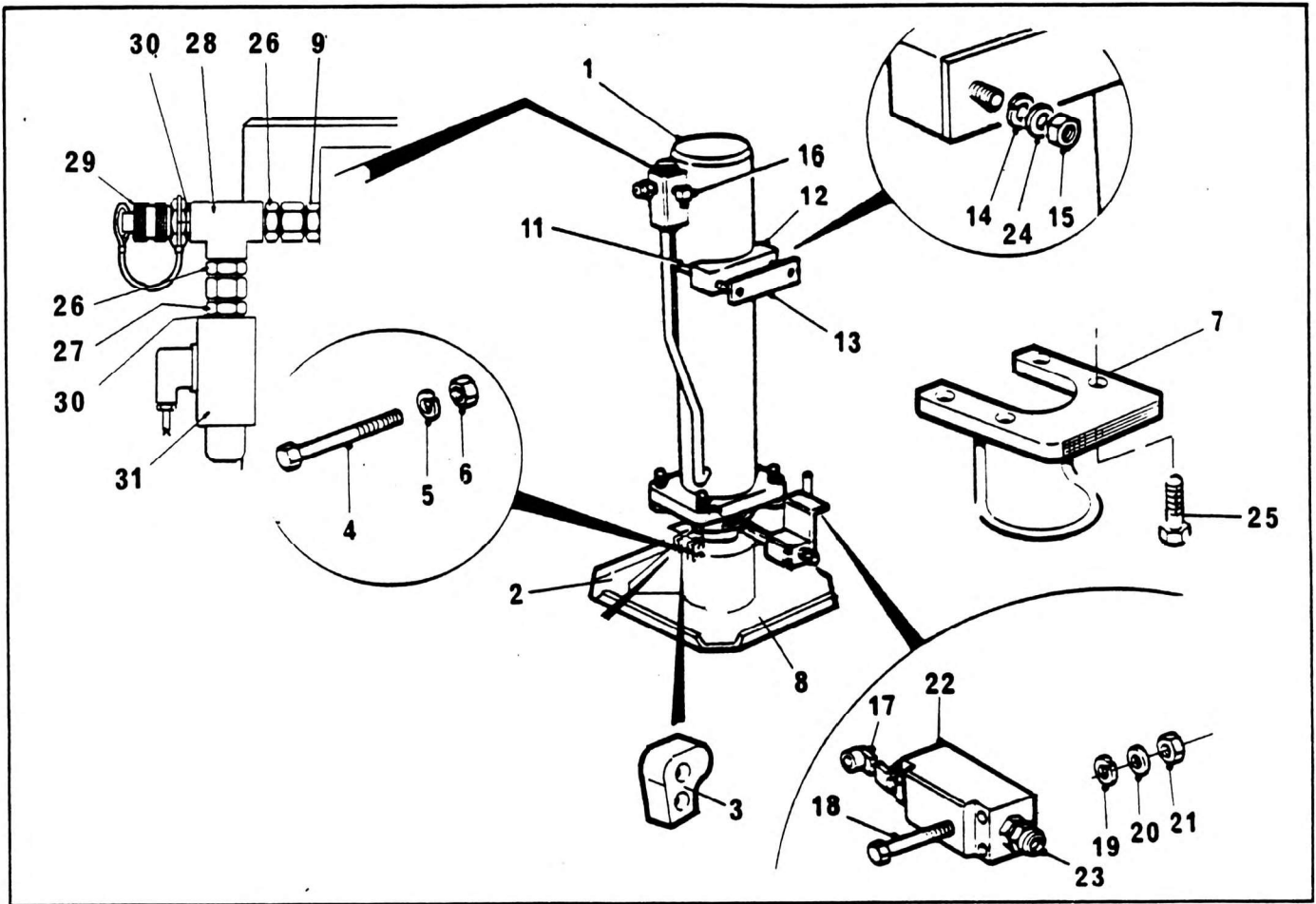


STABILIZER INSTALL FRONT CENTRE



NO.	PART NO.	QTY.	DESCRIPTION	NO.	PART NO.	QTY.	DESCRIPTION
1 +	6-372-002710	1	Front Outrigger Assy	23	7-372-990016	1	Cable Gland
2 +	6-458-990083	1	Outrigger Float	24	7-951-210014	2	Washer M12
3	4-705-995068	2	Support Plate	25	7-126-272350	4	Bolt M20 x 80 Long
4	7-126-191850	4	Bolt Hex Head M10 x 55mm Long	26	7-443-990892	2	Swivel Coupling ½" BSP
5	7-951-190210	4	Washer Spring M10 Dia.	27	35808	1	Adaptor ½" x ½" BSP
6	7-661-190003	4	Hex Nut M10	28	503535	1	Tee Piece ½" BSP Female
7	6-372-990079	1	Kick Bar Assembly	29	8891527	1	Hydraulic Pressure Test Point ½" BSP
8	6-794-990009	2	Kwickstick	30	7355201	4	Bonded Seal ½" BSP
9	8304309	1	Adaptor	31 +	8869152	1	Switch Pressure
10	6-086-990284	1	Packer				
11	6-099-995002	1	U Bolt				
12	4-086-995007	1	Block				
13	4-705-995198	1	Shim				
14	7-951-210210	2	Spring Washer 12mm ID				
15	7-661-210003	2	Hex Nut M12				
16	7-447-060603	2	Elbow ⅜" Tube x ⅜"M				
17	7-033-990025	1	Arm				
18	7-126-131850	4	Bolt M5 x 55 Cap Head				
19	7-951-130210	4	Spring Washer M5				
20	7-951-130014	4	Washer M5				
21	7-661-130003	4	M5 Nut				
22 +	7-872-990084	1	Switch				

+ See further breakdown in this group

6-372-990235  
Issue No. 00